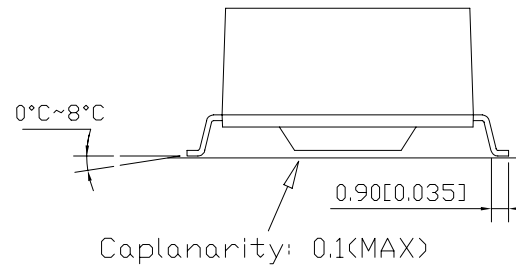
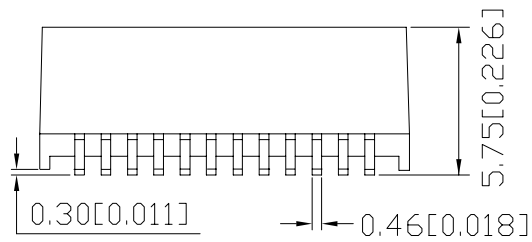
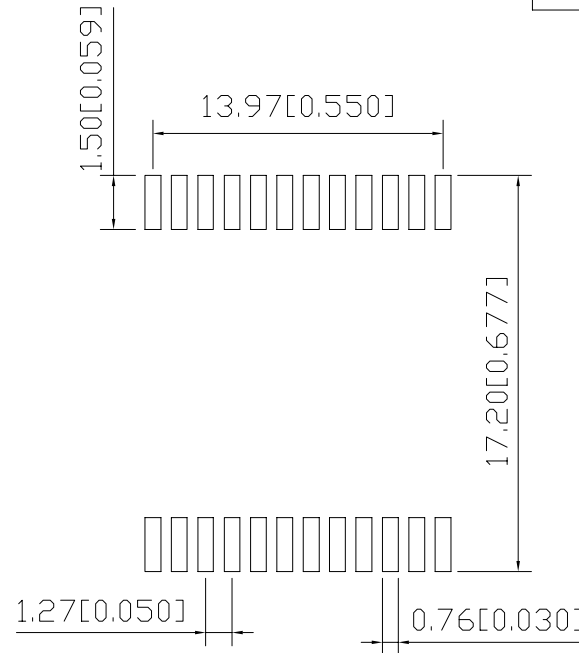
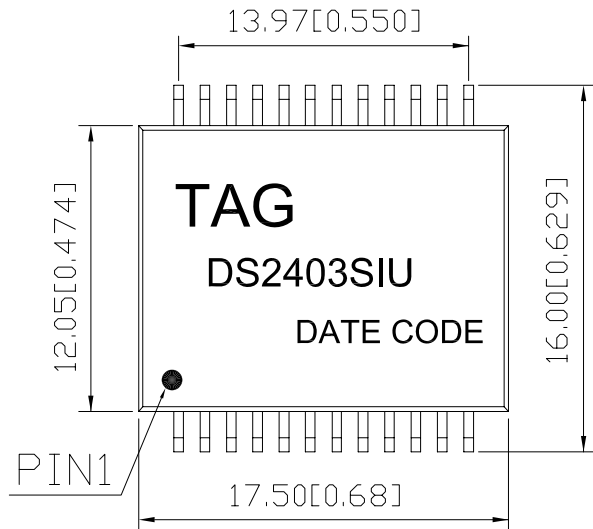


# 1. MECHANICAL DIMENSIONS :

REV.	CHANGE DESCRIPTION	DATE
A	New Issue	2017-6-2



RoHS Compliant

NOTE. DIMENSIONS:MM(INCHES)/UNLESS OTHERWISE SPECIFIED ALL TOLERANCES ARE ±0.50(0.010).

**TAG** 億客科技股份有限公司  
ECO TECH CO., LTD.

A4  
SIZE

TAG PART NO.:  
DS2403SIU

VENDOR PART NO.:

Drawn: 罗宾艳

Designed: 杨田田

Approved: Paul Li

Date: 2017-6-2

THESE DRAWINGS AND SPECIFICATIONS ARE THE PROPERTY OF TAG TECHNOLOGY CO., LTD. AND SHALL NOT BE REPRODUCED OR USED AS THE BASIS FOR THE MANUFACTURE OR SELL OF APPARATUS OR DEVICES WITHOUT PERMISSION.



DESCRIPTION:  
5G BASE-T TRANSFORMER MODULES

UNIT mm[inch]

USED ON

SHEET 1 OF 2

REV. A

1

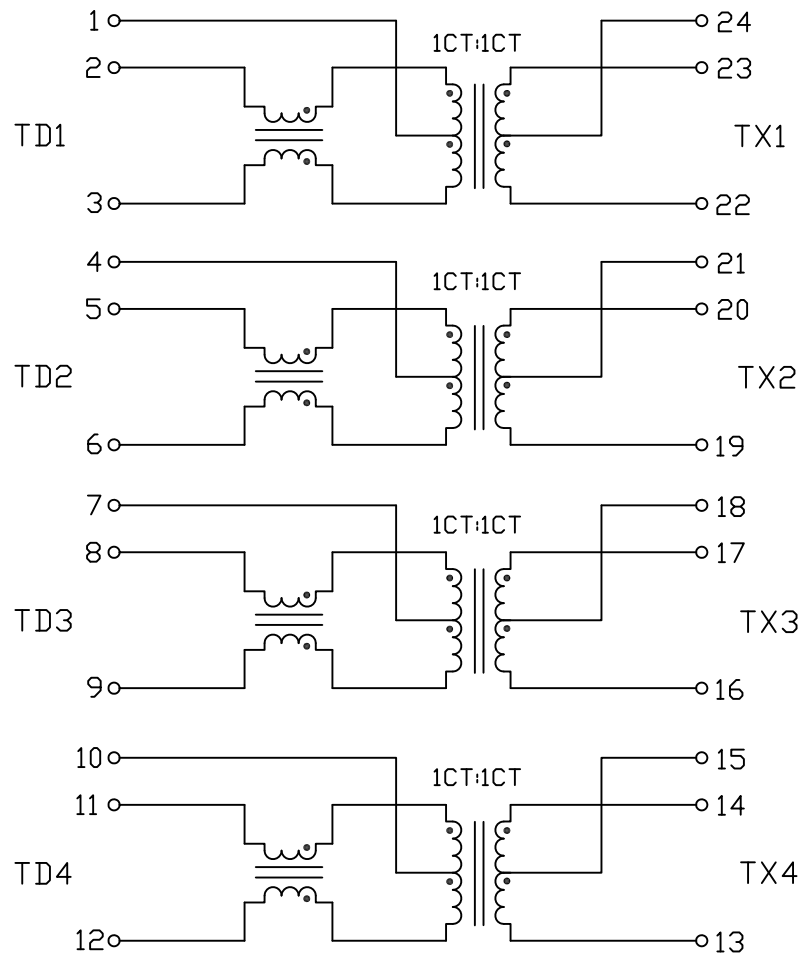
2

3

4

REV.	CHANGGE DESCRIPTION	DATE
A	New Issue	2017-6-2

### 2. SCHEMATIC:



### 3. ELECTRICAL CHARACTERISTICS :

TEST NOTES:(25°±5°C)

- TR:(100KHz,0.1V); 100%  
PINS:(2,3):(23,22)=1:1±3%;(5,6):(20,19)=1:1±3%  
PINS:(8,9):(17,16)=1:1±3%;(11,12):(14,13)=1:1±3%
- ∅CL:(100KHz,0.1V) 100%  
PINS:(22,23),(20,19),(17,16),(14,13)=140uH MINIMUM
- DCR: 100%  
PINS:(2,3),(5,6),(8,9),(11,12)=0.8 Ω MAXIMUM
- HIPOT: 100%  
PINS(2,1,3)TO(23,24,22),(5,4,6)TO(20,21,19)=1500VAC FOR 60 SECONDS  
PINS(8,7,9)TO(17,18,16),(11,10,12)TO(14,15,13)=1500VAC FOR 60 SECONDS
- Lk:0.5uH MAX@100KHz,0.1V
- Cw/w: 25pF TYP 100KHz,0.1V
- INSERTION LOSS:  
-1.0dB MAXIMUM AT 1MHz TO 100MHz;  
-2.0dB MAXIMUM AT 100MHz TO 200MHz;  
-3.0dB MAXIMUM AT 200MHz TO 400MHz;  
-4.0dB MAXIMUM AT 400MHz TO 500MHz;
- RETURN LOSS:  
-16dB MINIMUM AT 1MHz TO 40MHz;  
-10dB MINIMUM AT 40MHz TO 100MHz;  
-7dB MINIMUM AT 200MHz TO 400MHz;  
-5dB MINIMUM AT 400MHz TO 500MHz;
- CROSS TALK  
-30dB MINIMUM AT 1MHz TO 100MHz;  
-20dB MINIMUM AT 100MHz TO 500MHz;
- CMRR  
-30dB MINIMUM AT 1MHz TO 100MHz;  
-20dB MINIMUM AT 100MHz TO 500MHz;
- OPERATING TEMPERATURE -40°C TO +85°C
- 1A TOTAL CURRENT CAPABILITY.

## RoHS Compliant

**TAG** 億客科技股份有限公司  
ECO TECH CO., LTD.

A4  
SIZE

TAG PART NO.:  
DS2403SIU

VENDOR PART NO.:

Drawn: 罗宾艳

Designed: 杨田田

Approved: Paul Li

Date: 2017-6-2

THESE DRAWINGS AND SPECIFICATIONS ARE THE PROPERTY OF TAG TECHNOLOGY CO., LTD. AND SHALL NOT BE REPRODUCED OR USED AS THE BASIS FOR THE MANUFACTURE OR SELL OF APPARATUSES OR DEVICES WITHOUT PERMISSION.



DESCRIPTION:  
5G BASE-T TRANSFORMER MODULES

UNIT	mm[inch]	USED ON
SHEET	2 OF 2	REV. A

1

2

3

4