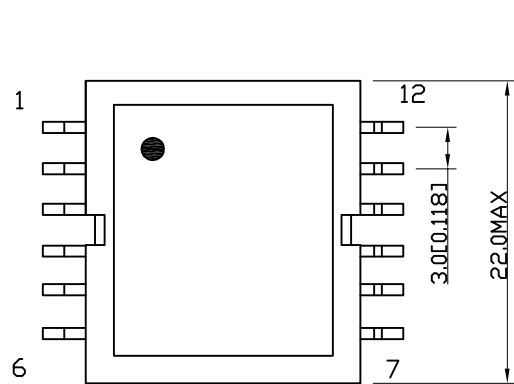
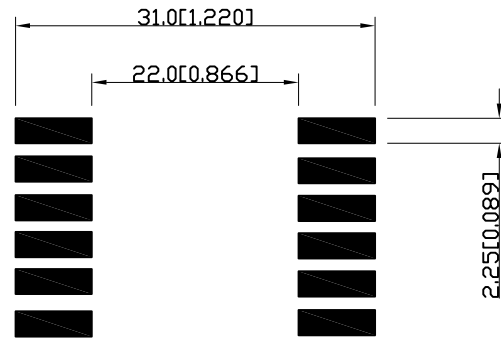


REV.	CHANGE DESCRIPTION	DATE
A	New Issue	2023-5-2

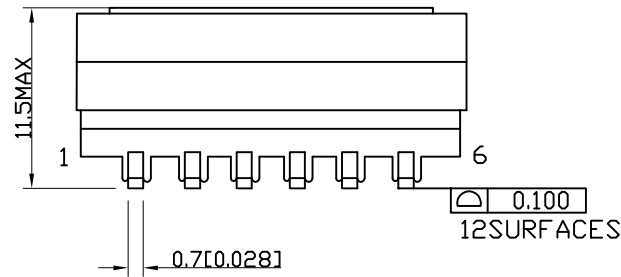
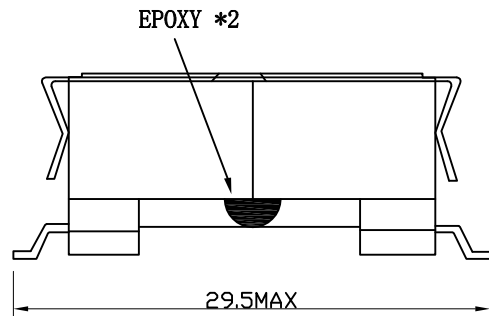
# 1. MECHANICAL DIMENSIONS :



Top view



Suggested Pad Layout



RoHS Compliant

NOTE.DIMENSIONS : MM(INCHES)/ UNLESS OTHERWISE SPECIFIED ALL TOLERANCES ARE ±0.25(0.010).

**TAG** ECO TECH CO., LTD.

A4  
SIZE

TAG PART NO.:  
**1SFD2002F**

VENDOR PART NO.:

Drawn: Zhang Xue

Designed: Yang Tian

Approved: Deane

Date: 2023-5-2

THESE DRAWINGS AND SPECIFICATIONS ARE THE PROPERTY OF TAG TECHNOLOGY CO., LTD. AND SHALL NOT BE REPRODUCED OR USED AS THE BASIS FOR THE MANUFACTURE OR SELL OF APPARATUS OR DEVICES WITHOUT PERMISSION.



DESCRIPTION:  
XFMR, FLYBACK SMD

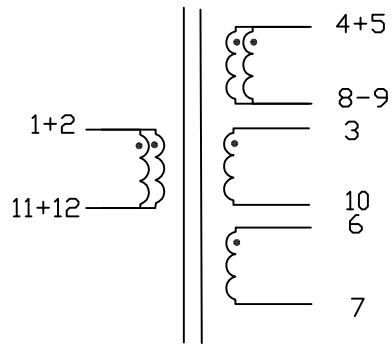
UNIT mm[inch]

USED ON

SHEET 1 OF 2

REV. A

## 2. SCHEMATIC:



## 3. ELECTRICAL TEST CHARACTERISTICS :

(1).INDUCTANCE TEST: AT 250KHz,1V

L:PIN(1+2)-(11+12)=48uHMIN

LK:PIN(1+2)-(11+12)=0.6uH MAX(short t3.4.5.6.7.8.9.10)

(2).TURNS RATIO:AT 20KHz,1V

TR:PIN(1+2-11+12):(4+5-8+9):(3-10):(6-7)=12:5:7:8±3%

(3).DIRECT-CURRENT RESISTANCE:

DCR:PIN(1+2)-(11+12)=38mΩ MAX

DCR:PIN(4+5)-(8+9)=22mΩ MAX

(4).HI-POT TEST:AC 50Hz 3.0mA 1SEC

PIN(1,2)--PIN(3,4,5,6)=AC500V

WINDING--CORE=AC500V

(5).INSULATION RESISTANCE:DC500V

WINDING--CORE:100M ΩHMS MIN

## 4.WINDING:

ORDER	S---F	WIRE SIZE	TURN	TAPE 13.8mm
N1	1+2-11+12	2UEW-F φ0.4mm*2	12	2
N2	4+5-8+9	2UEW φ0.4mm*2	5	2
N3	3-10	2UEW φ0.32mm	7	1
N4	6-7	2UEW φ0.32mm	8	2

RoHS Compliant

**TAG**

ECO TECH CO., LTD.

A4  
SIZE

TAG PART NO.:  
1SFD2002F

VENDOR PART NO.:

Drawn: Zhang Xue

Designed: Yang Tian

Approved: Deane

Date: 2023-5-2

THESE DRAWINGS AND SPECIFICATIONS ARE THE PROPERTY OF TAG TECHNOLOGY CO., LTD. AND SHALL NOT BE REPRODUCED OR USED AS THE BASIS FOR THE MANUFACTURE OR SELL OF APPARATUS OR DEVICES WITHOUT PERMISSION.



DESCRIPTION:  
XFMR, FLYBACK SMD

UNIT	mm[inch]	USED ON	
SHEET	2 OF 2	REV.	A